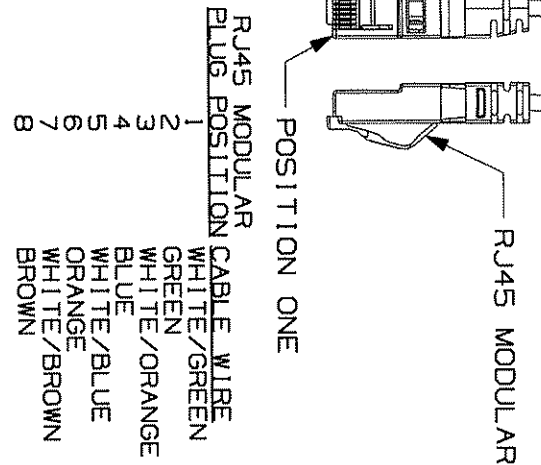
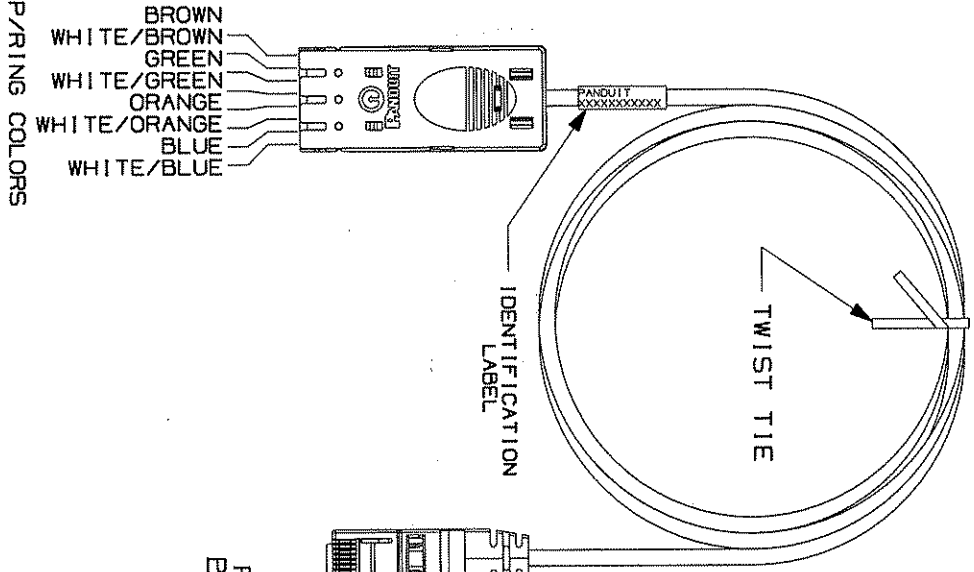


THIS COPY IS PROVIDED ON A RESTRICTED BASIS AND IS NOT TO BE USED IN ANY WAY DETRIMENTAL TO THE INTERESTS OF PANDUIT CORP.

- NOTES:
1. SEE CURRENT CATALOG FOR VARIOUS APPLICATIONS AND TO INDICATE PACKAGE QUANTITY.
  2. GIGA-PUNCH CONNECTOR ON ONE END AND AN RJ45 MODULAR PLUG WIRED TO EIA/TIA 568A ON THE OTHER END. PATCH CORDS CAN BE USED WITH GIGA-PUNCH FOUR-PAIR CONNECTING BLOCKS.
  3. THE GIGA-PUNCH PATCH CORD IS POLARIZED TO PREVENT REVERSE INSTALLATION ON THE CONNECTOR BLOCK. INCORPORATES A CABLE JACKET RETENTION FEATURE WHICH MINIMIZES WIRE UNTWISTING, AND HAS AN INTEGRAL STRAIN RELIEF.
  4. PATCH CORDS CONSTRUCTED USING UL OR ETL VERIFIED CABLE.
  5. MATERIAL: CONNECTOR: POLYCARBONATE  
CABLE: CAT6, 24 AWG STRANDED-TIN/COPPER  
JACKET: PVC  
JACKET COLOR: WHITE
  6. THIS CABLE SHOULD ONLY BE USED IN INTERCONNECT APPLICATION.



PANDUIT PART NUMBER	MIN. CABLE LENGTH	WEIGHT
GPPC41G3AY	3 FT.	.81 LB/10 PCS 1.41 LB/10 PCS
GPPC41G5AY	5 FT.	1.34 LB/10 PCS 1.607 LB/10 PCS
GPPC41G7AY	7 FT.	1.85 LB/10 PCS 1.838 LB/10 PCS
GPPC41G9AY	9 FT.	2.30 LB/10 PCS 1.041 LB/10 PCS
GPPC41G14AY	14 FT.	3.42 LB/10 PCS 1.550 LB/10 PCS
GPPC41G20AY	20 FT.	4.79 LB/10 PCS 1.2172 LB/10 PCS
GPPC41G1MAY	1 METER	.97 LB/10 PCS 1.389 LB/10 PCS
GPPC41G2MAY	2 METERS	1.71 LB/10 PCS 1.775 LB/10 PCS
GPPC41G3MAY	3 METERS	2.45 LB/10 PCS 1.1111 LB/10 PCS
GPPC41G5MAY	5 METERS	3.83 LB/10 PCS 1.1783 LB/10 PCS

TIP/RING COLORS

BROWN  
WHITE/BROWN  
GREEN  
WHITE/GREEN  
ORANGE  
WHITE/ORANGE  
BLUE  
WHITE/BLUE

POSITION ONE

RJ45 MODULAR CABLE WIRE

1 WHITE/GREEN  
2 GREEN  
3 WHITE/ORANGE  
4 BLUE  
5 WHITE/BLUE  
6 ORANGE  
7 WHITE/BROWN  
8 BROWN

REV	DATE	BY	CHK	DESCRIPTION	ECN	R	CUST	SUP	OTH
R	3-20-06	NER	ME	RELEASED FOR PRODUCTION	02479-257				

**PANDUIT CORP.**  
TINLEY PARK, ILL. 60477

ALL DIMENSIONS ARE GIVEN IN INCHES, UNLESS OTHERWISE SPECIFIED.  
DIMENSIONAL TOLERANCES ARE:  
(.XX) ± .001(.8) ANGLES ±

DATE: 3-20-06  
DRAWN BY: NER  
REVIEW DRAWING NUMBER: A11

SEE NOTES

PART NO. GPPC41G\*\*AY  
DRAWING NO. 02479-257

MODEL FILENAME: MO2479JU\_DC257\_00A.PRT  
DRAWING FILENAME: A

TITLE: GIGA-PUNCH TO RJ45 EIA/TIA 568A PATCHCORD CUSTOMER DRAWING